

Product Codes		
LED	TEEXIT160ERP	160lm

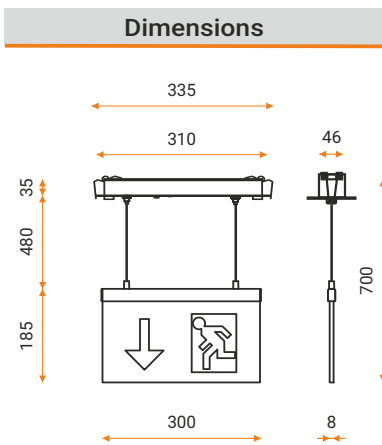


Material and Finish
• Injection moulded polycarbonate
• LED indicator light and push button test switch.
• Emergency operation time > 3h
• 4 legends available

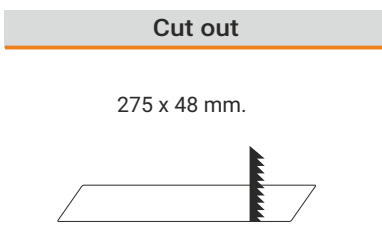


LED Characteristics	
CCT	6000°K
Ra (CRI)	>80
Life expectancy	20,000 hrs
Board lumens	160lm
Rated power	2W
Operation temperature	-20 to +45°C

Electrical Input	
Battery charging current	30mA
Battery discharging current	160mA
Charging time	24 hrs
Rated input voltage	~230-240V AC
Rated input frequency	50-60Hz



Weight



This product specification contains data based on typical performance at nominal power. Actual values stated may depend on the drive OR ballast and its application. Data is compiled by performing tests carried out in a controlled environment and is a representation of relative performance at the relevant nominal voltage. Actual performance figures can vary depending on operating conditions. NOTE: Data is subject to change without any prior notice. Fluorel Limited.